



**MULTI CHEMISTRY
COMPATIBLE**
AGM, GEL, WET & LITHIUM



**MAX CHARGE
TO 75°C**



**ULTRA EFFICIENT
MPPT SOLAR**



**IP68 &
IP69K**

WORKS HARDER IN TOUGHER CONDITIONS

- Super efficient design will not derate in hot conditions (maximum charge up to 75°C)
- Operation up to 90°C makes it ideal for under bonnet applications
- Highest possible rating against dust, water and pressure washing (IP68 & IP69K)
- Fully potted with thermal epoxy resin

WILL NOT LET YOU DOWN WHEN YOU ARE IN REMOTE LOCATIONS

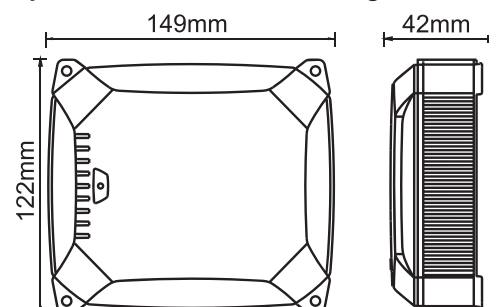
- Designed, engineered and tested in Australia
- Uses only the best electronic components for a longer life
- Ultra-efficient power conversion so more charging for your battery and less stress on the charger for a longer life
- Vibration and shock proof – engineered to pass heavy vehicle standards
- 5 year warranty

PROVIDES THE BEST POSSIBLE CARE FOR YOUR BATTERY

- 3 and 5 stage charging for the fastest & best possible charge
- Automatic temperature compensation adjusts the charge when the climate changes for optimum charge
- Voltage drop compensation ensures correct charge voltage to the battery
- Simultaneous charging via solar and alternator
- Highly efficient MPPT solar charging ensures the best possible charge – even in the shade
- Lithium wake-up mode – if battery BMS turns off, one button press ensures the charger recognises the battery and begins to charge

MOST CONNECTED DC/DC CHARGER

- Pair with the Projecta Intelli-IQ app
- Allows users to set up, monitor, and control remotely
- Accessible from smartphone or Intelli-IQ
- Single wire connectivity for easy setup
- Firmware upgrade option available through the app



Mechanical	
Height	42mm
Length	149mm
Depth	122mm
Weight	1180g
Construction	
Housing Material	Aluminium
Cover Material	ABS+PC
Electrical	
Alternator Input Voltage	9-32V
Maximum Solar Input Voltage	32Vdc
Solar Controller Type	MPPT
Standby Current	8mA
Suits Smart Alternator	Yes
Maximum Input Current	35A
Output Current	INPUT: 9-11Vdc 20A INPUT: 11-32Vdc 25A
Charging Stages	3/5 Stages
Protection	Reverse Connection, Over and under voltage, over temperature
Temperature Compensation	-10°C to +90°C
Charger Temperature Derating	e.g. 25A up to 75 Degrees
Max Charger Temperature	Up to 75 degrees
Display	Optional IQD2
Battery Chemistry	GEL, AGM, WET, CALCIUM & LiFePO4
Recommended Input Fuse	50A (Not supplied) – FK25A Recommended
Recommended Output Fuse	50A (Not supplied) – FK25A Recommended

Environmental	
IP Rating	IP68 & IP69K
Operating Temperature	-10°C to +90°C
Vibration Rating	Heavy Vehicle
Vibration Tested	Yes
Mechanical Shock Tested	Yes
Salt Spray	Yes
Certification	
ECE R10	Yes
CISPR11	Yes
RCM	Yes
CE	Yes
RoHS	Yes
REACH	Yes
Other	
Warranty	5 Years
Country of Origin	Taiwan
Kit Includes	4x mounting screws 4x mounting screw washers 4x heat shrink for power cables 5 x quick connector 4x power screw lugs 4x power screw washers 4x power ring terminals 1x 5m temperature loom
Accessories/Spare Parts	IDC25XC cover, IDCXFS Lug fasteners, IDC25XLS Lugs, IDCXTMP temp sensor loom, IDCXBTS quick connectors, IDCXGDB ground distribution bus FK25A fuse kit

Operating Mode				
Vehicle Voltage Range	12Vdc		24Vdc	
VSR Mode - Default (Ignition Override Not Connected)	Turn On 13.4-16.5Vdc	Turn Off <12.8Vdc	Turn On 26.8-32.0Vdc	Turn Off <25.6Vdc
Low Voltage Mode - Ignition Override cable connected to ignition switch (Ignition On)	Turn On 12.2-16.5Vdc	Turn Off <11.9Vdc	Turn On 24.4-32.0Vdc	Turn Off <23.8Vdc